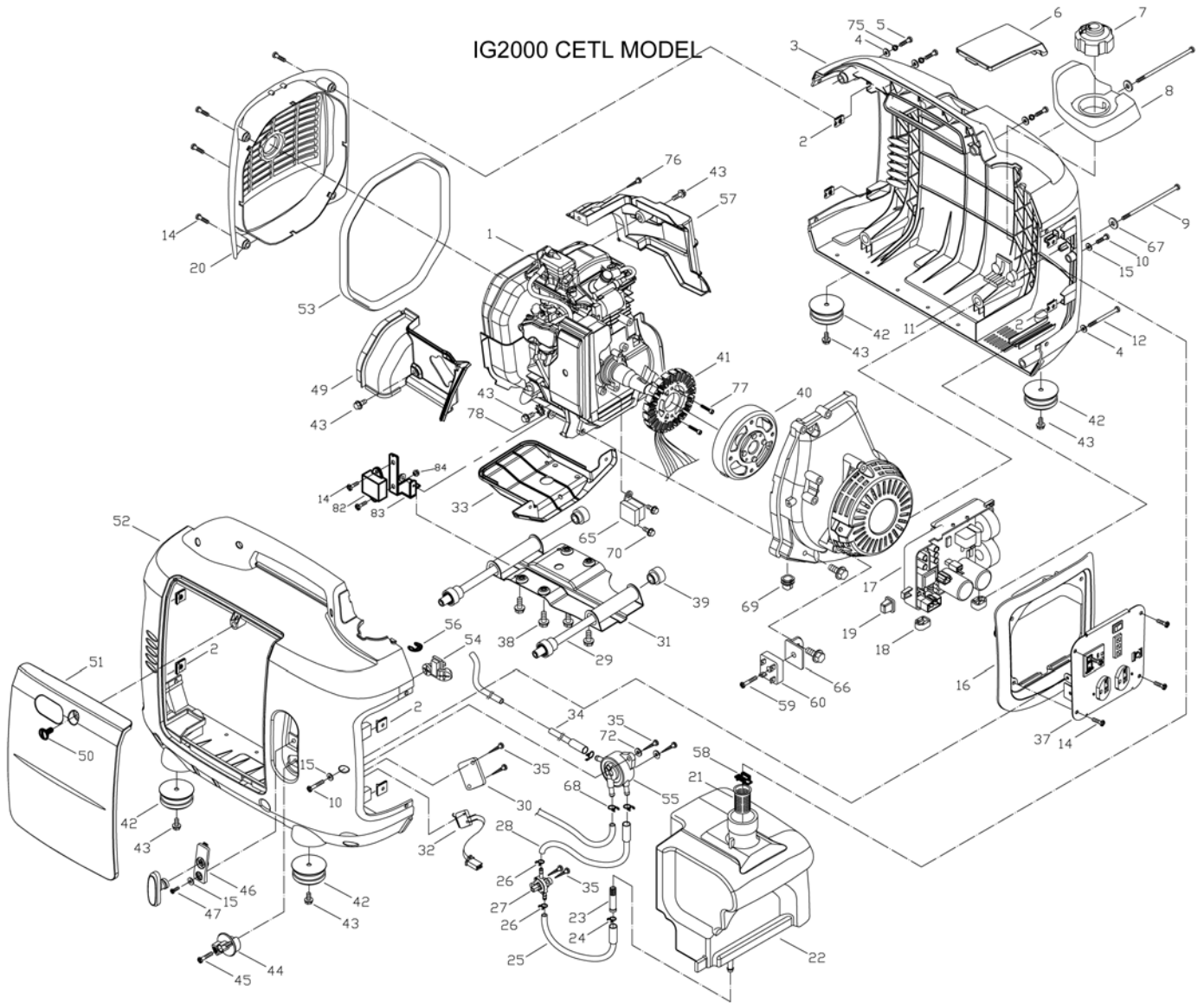
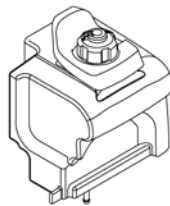


KIPOR IG2000 INVERTER GENERATOR PARTS

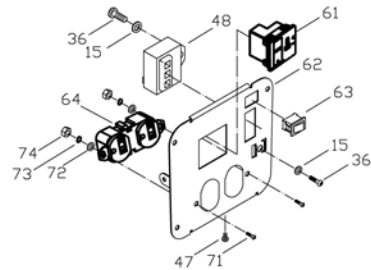
CETL MODEL



80 Fuel Tank Assembly
KGE2000Ti-07400



81 Control Panel Assembly
KGE2000Ti-13100



13 Alternator Assembly
KD (M) 20 (A) -02000



CETL IG2000 Parts List

Ref.	Mgf. No	Order No.	Description	Qty.
1	KG158-00000	66739	Gasoline engine	1
2	KGE1000Ti-06115		Bracket Nut	8
3	KGE2000TiA-03300	66742	Right Case	1
4	GB/97.1-2002		Gasket 6	3
5	GB/T818-2000		Plus screw M6*20	3
6	KGE2000Ti-03600	66744	Top cover	1
7	KGE1000Ti-07200	66228	Fuel tank cover assembly	1
8	KGE2000Ti-07005	66746	Fuel filler washer	1
9	KGE2000Ti-03002		Hexagonal groove bolt M6*80	2
10	GB/T818-2000		Plus Screw M5*25	2
11	KGE1000Ti-06301		Cross type protective bracket of right case	1
12	KGE2000Ti-03003		Hexagonal bolt(M6X70)	1
13	KD(M)20-(A)02000	66008	Alternator assembly	1
14	GB/T818-2000		Screw M5*16(blacken)	8
15	GB97.1-2002		Gasket 5	7
16	KGE2000Ti-03009		Front Cover	1
17	DU20	65989	Inverter Module	1
18	KGE1000Ti-00008		Module damping washer	2
19	KGE1000Ti-00004		Square type rubber protective bracket	1
20	KGE2000Ti-03200	65990	Rear Case	1
21	KGE1000Ti-07011	66227	Filter cup	1
22	KGE2000Ti-07001	66748	Fuel tank	1
23	KGE1000Ti-07004	66749	Strainer	1
24	KGE1000Ti-07012	66750	Hoop Φ10	1
25	KGE1000Ti-07001	66951	Fuel pipe I	1
26	KGE1000Ti-07006	66752	Hoop Φ7	2
27	KGE1000Ti-07300	66275	Fuel switch assembly	1
28	KGE2000Ti-07002	66754	Fuel pipe II	1
29	KGE2000Ti-12102a		Vacuum shaft	2
30	KGE3000Ti-03017		Micro-switch baffle	1
31	KGE2000Ti-12120	67309	Base Plate-C	1
32	KW4A-Z6CSF200	66756	Micro-switch	1
33	KGE2000Ti-04300		Lower air deflector	1
34	KGE2000Ti-07003	66757	Fuel pipe III	1
35	GB/T845-1985		Screw ST3.8*16	6
36	GB/T818-2000		Hexagonal flange bolt M5*12	1
37	KGE2000-13100		Control panel assembly	1
38	GB/T5789-2000		Hexagonal flange Bolt M8*30	4
39	KGE3000Ti-12101b		Shock absorption sleeve	4
40	KD20(M)20(A)-02200	65995	Rotor	1
41	KD20(M)20(A)-02100	65996	Stator	1

42	KGE2000Ti-03004	66234	Rubber Foot	4
43	GB/T5789-2000		Hexagonal flange Bolt M6*12	4
44	KGE1000Ti-07008	66226	Fuel switch lever	1
45	KGE1000Ti-07304		Screw	1
46	KGE1000Ti-06102	66758	Grip Mounting Base	1
47	GB/T818-2000		Plus Screw M5*12	1
48	DHQ-20	66152	Three in one ignition module	1
49	KGE2000Ti-04200		Inlet side guide plate	1
50	KGE1000Ti-00006	66217	Screw M6	1
51	KGE2000Ti-03500	66235	Service Door	1
52	KGE2000TiA-03400	65992	Left case	1
53	KGE2000Ti-03001	66233	Rear case sealing strip	1
54	KGE1000Ti-06101		Cross type protective bracket of left case	1
55	KGE1000Ti-07100	65924	Fuel vaccum pump	1
56	GB/T896-1986		Split washer 9	1
57	KGE2000Ti-04100		Deflector on the exhaust side	1
58	KGE1000Ti-07013	66954	Fuel indicator	1
59	GB/T818-2000		Plus Screw M5*20	1
60	KBPC25A	66517	Bridge Rectifier	1
61	WZ-Z2-a	67569	DC receptacle	1
62	IG2000-13110		Panel	1
63	RF-1003-BB2	66498	Smart throttle switch	1
64	5-20R	66763	A-style receptacle	1
65	KGE2000Ti-13601	66766	Trigger	1
66	KGE2000Ti-13340		Bridge recifier board	1
67	GB/T96.1-2002		Big gasket 6	2
68	KGE1000Ti-07007	66767	Hoop Φ9	3
69	KGE2000Ti-04400		Motor wire outlet seal washer	1
70	GB/T5789-2000		Hexagonal flange bolt M5*12	2
71	GB/T818-2000	66777	Plus screw M4*16	2
72	GB/T97.1-2002		Washer 4	4
73	GB/T93-1987		Plastic washer 4	2
74	GB/T41-2000		Hexagonal nut M4	2
75	GB/T93-1987		Plastic washer 6	3
76	GB/T845-1985		Screw ST2.9*12	1
77	GB/T70.1-2000		Inner hexagonal screw M5*30	2
78	GB/T862.2-1987		Tighten washer 6	1
79	KGE1000Ti-13301		Sleeve	1
81	KGE2000Ti-13100		Control panel assembly	1
82	CBB61 10uF/250V	67037	Capacitor	1
83	KGE2000Tc-03700a	67038	Capacitor Bracket	1
84	GB/6177.1-2000		Hexagonal nut M5	1
	IG2000-T0000	66236	Decal Set	1