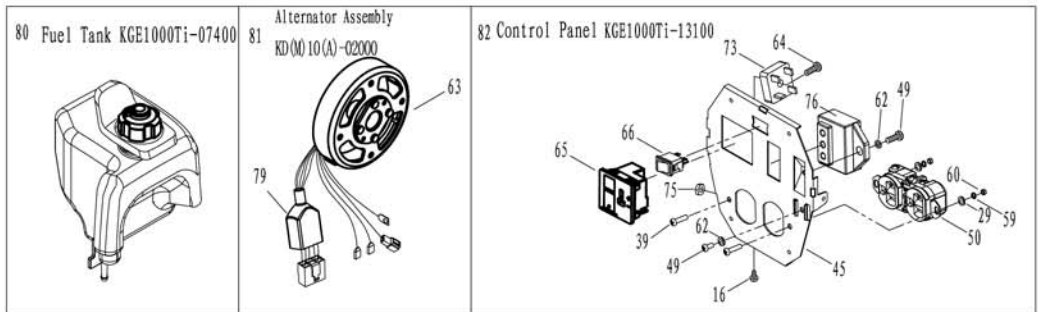
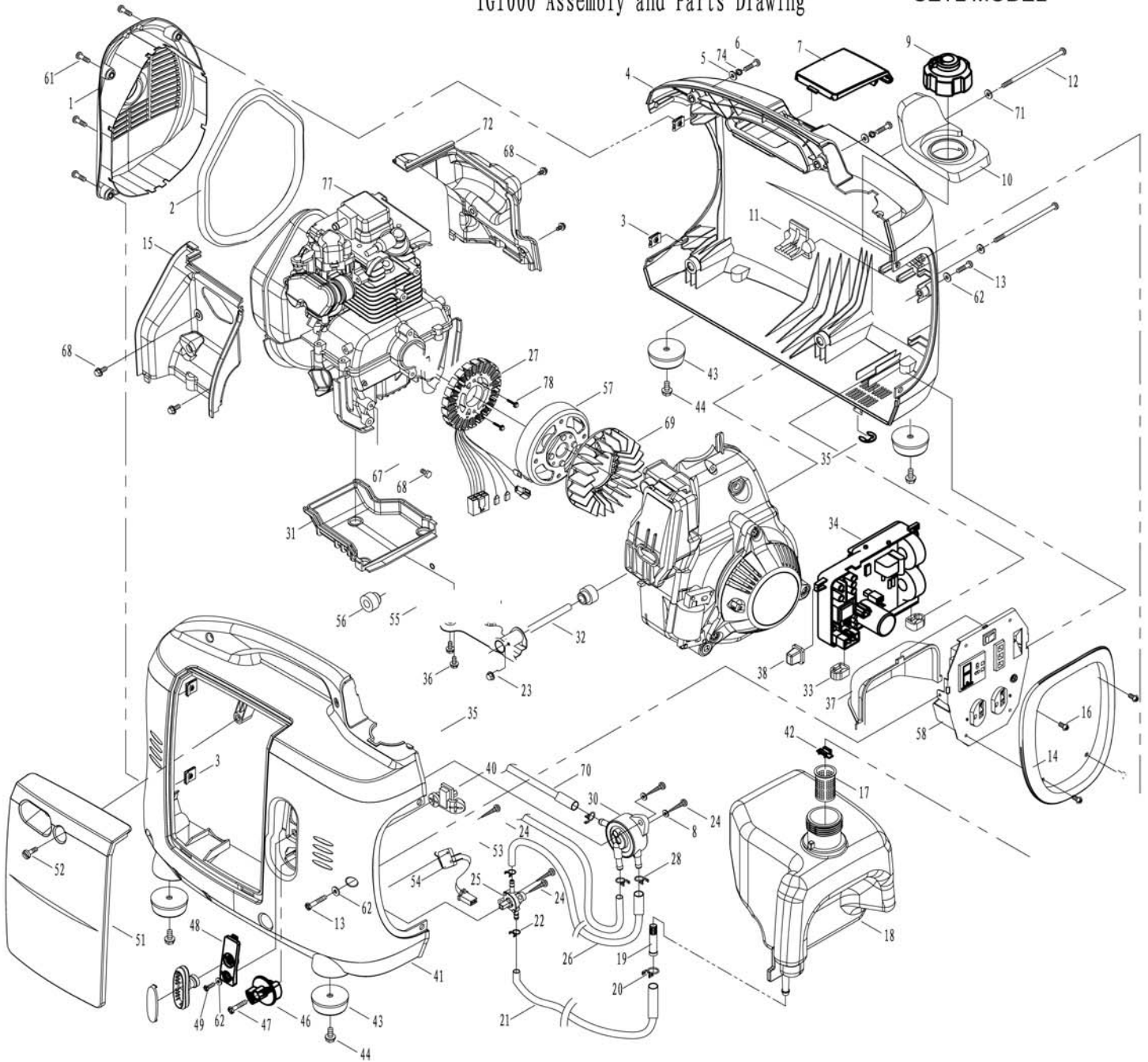


KIPOR IG1000 INVERTER GENERATOR PARTS

CETL MODEL

IG1000 Assembly and Parts Drawing

CETL MODEL



CETL IG1000 Parts List

Ref. No.	Manufacturer No.	Order #	Description	Qty.
1	KGE1000Ti-06610	65970	Rear Case	1
2	KGE1000Ti-06601	65970	Seal Strip of Rear Case	1
3	KGE1000Ti-06115		Nut Clip	4
4	KGE1000Ti-06310	65929	Right Case	1
5	GB/T97.1-2002		Gasket 6	2
6	GB/T818-2000		H-Type Cross Plug Screw M6X20	2
7	KGE1000Ti-06401	66944	Top Cover of Right Case	1
8	GB/T97.1-2002		Gasket 4	4
9	KGE1000Ti-07200	66228	Fuel Tank Cover	1
10	KGE1000Ti-07009	66946	Fuel Tank Sleeve	1
11	KGE1000Ti-06301		Cross Type Protection Holder of Right Case	1
12	KGE1000Ti-00007		Bolt M6X105	2
13	GB/T818-2000		H-Type Cross Plug Screw M5X25	2
14	KGE1000Ti-06501	65969	Front Case	1
15	KGE1000TiA-03011	66947	Air Inlet Deflector	1
16	GB/T818-2000		H-Type Cross Plug Screw M5X8	4
17	KGE1000Ti-07011		Filter Cap	1
18	KGE1000Ti-07005	66948	Fuel Tank Cover	1
19	KGE1000Ti-07004	66749	Filter Strainer	1
20	KGE1000Ti-07012	66750	ClipΦ10	1
21	KGE1000Ti-07001	66951	Fuel Pipe I	1
22	KGE1000Ti-07006	66752	ClipΦ7	2
23	GB/T5789-2000		Hexagonal Flange Bolt M6X12	1
24	GB/T845-1985		Cross Plug Self Tapping Screw ST3.8X16-C-H	6
25	KGE1000Ti-07300	66275	Fuel Valve	1
26	KGE1000Ti-07002	66953	Fuel Pipe II	1
27	KD(M)10(A)-02100		Stator	1
28	KGE1000Ti-07007	66767	ClipΦ9	3
29	GB/T97.1-2002		Gasket 4	1
30	KGE1000Ti-07100	65924	Vacuum Fuel Pump	1
31	KGE1000TiA-03031		Air Outlet Deflector	1
32	KGE1000Ti-04204		Lower Hollow Shaft	2
33	KGE1000Ti-00008		Module Damping Cushion	2
34	DU10	65949	Inverter Module	1
35	GB/T896-1986		Split Washer 9	1
36	GB/T5789-2000		Hexagonal Flange Bolt M6X16	3
37	KGE1000Ti-06001		Electrical Element Protective Cover	1
38	KGE1000Ti-00004		Square Type Rubber Protective Frame	1
39	GB/T818-2000		H-Type Cross Plug Screw M4X15	4
40	KGE1000Ti-06101		Cross Type Protection Holder of left Case	1
41	KGE1000Ti-06110	65967	Left Case	1
42	KGE1000Ti-07013	66954	Fuel Level Indicator	1
43	KGE1000Ti-06700	66224	Damping Cushion of Case Bottom	4

44	GB/T5789-2000		Hexagonal Flange Bolt M6X12	6
45	KGE1000Ti-13101		Control Panel	1
46	KGE1000Ti-07008	66226	Fuel Switch Lever	1
47	KGE1000Ti-07304		Screw	1
48	KGE1000Ti-06102	66758	Grip Mounting Base	1
49	GB/T818-2000		H-Type Cross Plug Screw M5X12	3
50	5-20R	66763	American Twin Socket	1
51	KGE1000Ti-06201	66219	Side Door of Left Case	1
52	KGE1000Ti-00006		Screw M6	1
53	KGE3000Ti-03017		Micro Switch Baffle	1
54	KW4A-Z6CSF200	66756	Micro Switch	1
55	KGE1000TiA-04100A		Mounting Weldment of Engine	1
56	KGE1000Ti-04201b		Lower Damping Cushion	4
57	KD(M)10(A)-02200		Rotor	1
58	KGE1000Ti-13100		Control Panel Assembly	1
59	GB/T93-1987		Spring Gasket 4	2
60	GB/T41-2000		Hexagonal Flange Nut M4	2
61	GB/T818-2000		Screw M5X16	4
62	GB/T97.1-2002		Gasket 5	4
63	KD10-02000		Stator	1
64	GB/T818-2000		H-Type Cross Plug Screw M5X12	1
65	WZ-Z2-a	67569	DC Receptacle(DC12V 5A)	1
66	RF-1003-BB2	66498	Throttle Switch	1
67	KGE1000Ti-13601	66956	Trigger	1
68	GB/T5789-2000		Hexagonal Flange Bolt M5X12	1
69	KD(M)10(A)-02001	66957	Fan	1
70	KGE1000Ti-07003		Fuel Pipe III	1
71	GB/T96.1-2002		Gasket 6	2
72	KGE1000TiA-03021	66962	Exhaust Side Deflector	1
73	KBPC2510	66518	Bridge Rectifier	1
74	GB/T93-1987		Spring Gasket 5	2
75	GB/T41-2000		Hexagonal Flange Nut M5	1
76	DHQ-10	66151	Three in One Ignition Controller	1
77	KG144-00000	66965	KG144 Gasoline Engine	1
78	GB/T5789-2000		Hexagonal Flange Nut M5	2
79	KGE1000TI-13301		Protective Sleeve	1
80	KGE1000TI-07400		Fuel tank assembly	1
81	KD(M)10(A)-02000	65972	Alternator assembly	1
82	KGE1000TI-13100		Control panel	1